

## Flexy Compact Plate Dispenser Trolley, 2 cylinders - Ø180-250 mm, 2 tray sliders, h.750

ITEM # \_\_\_\_\_

MODEL # \_\_\_\_\_

NAME # \_\_\_\_\_

SIS # \_\_\_\_\_

AIA # \_\_\_\_\_

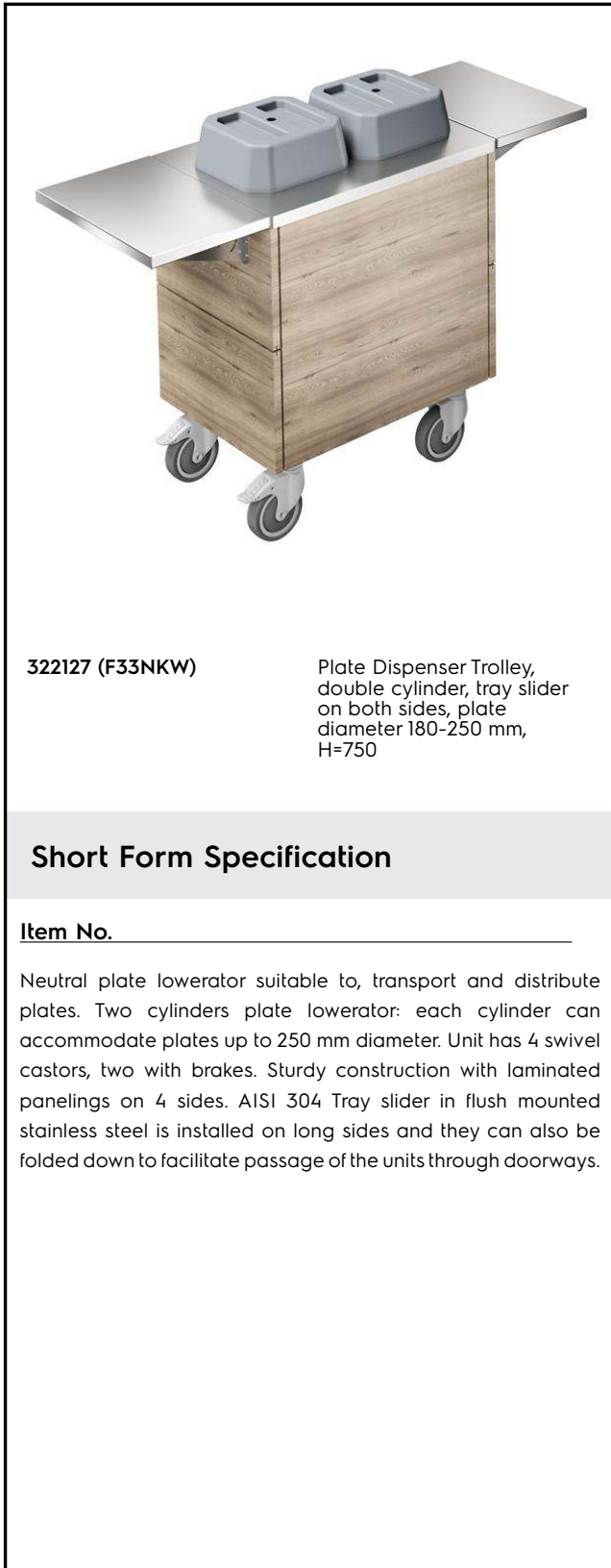

**322127 (F33NKW)**

 Plate Dispenser Trolley,  
 double cylinder, tray slider  
 on both sides, plate  
 diameter 180-250 mm,  
 H=750

### Short Form Specification

Item No. \_\_\_\_\_

Neutral plate lowerator suitable to, transport and distribute plates. Two cylinders plate lowerator: each cylinder can accommodate plates up to 250 mm diameter. Unit has 4 swivel castors, two with brakes. Sturdy construction with laminated panelings on 4 sides. AISI 304 Tray slider in flush mounted stainless steel is installed on long sides and they can also be folded down to facilitate passage of the units through doorways.

### Main Features

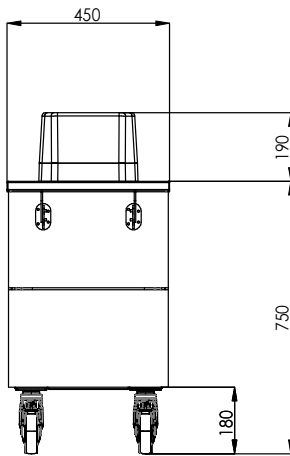
- CB and CE certified by a third party notified body.
- Sprung cylinders allow plates of different weights to be stacked.
- Perfect compact design makes it ideal for space saving environments.
- AISI 304 Tray slider in flush mounted stainless steel is installed on long sides and they can also be folded down to facilitate passage of the units through doorways.
- Ideal for servery lines without an operator.
- Neutral plate lowerator suitable to transport and distribute plates.
- Two cylinders plate lowerator: each cylinder can accommodate plates up to 250 mm diameter.

### Construction

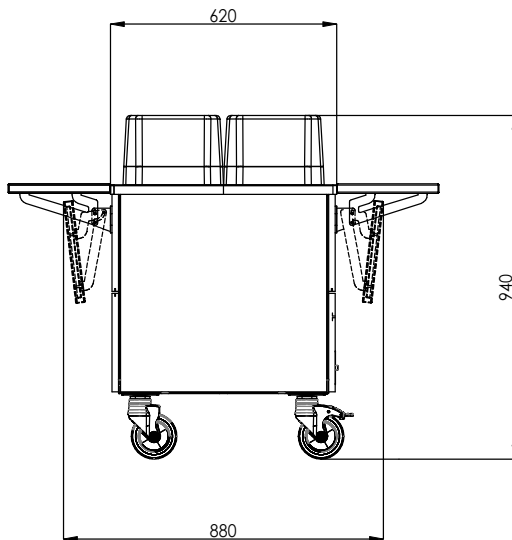
- Sturdy construction with laminated panelings on 4 sides.
- Unit has 4 swivel castors, 2 with brakes.

APPROVAL: \_\_\_\_\_

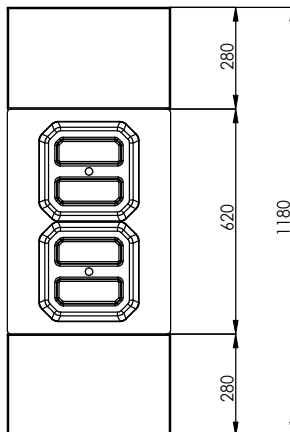
Front



Side



Top



**Key Information:**

External dimensions, Width: 322127 (F33NKW)	1180 mm
External dimensions, Depth:	450 mm
External dimensions, Height:	940 mm
Net weight:	45 kg
Wheel material:	
Wheel diameter:	